

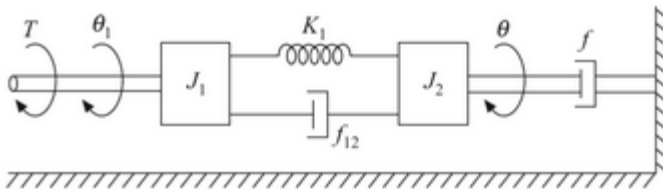
CONTROL SYSTEM

ASIGNMENT-1

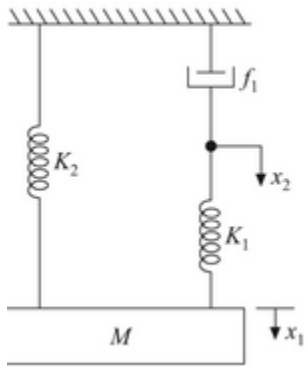
ELECTRICAL ENGINEERING DEPT

LAST DATE OF SUBMISSION: 05.10.2022

Q.1. Obtain the Transfer functions of given system



Q.2 Calculate the analogy of the following systems(BT-2)



3. Determine the transfer function of the given System using block diagram reduction technique or Mason's gain formula . (BT-2)

